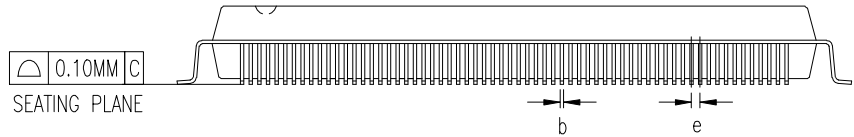
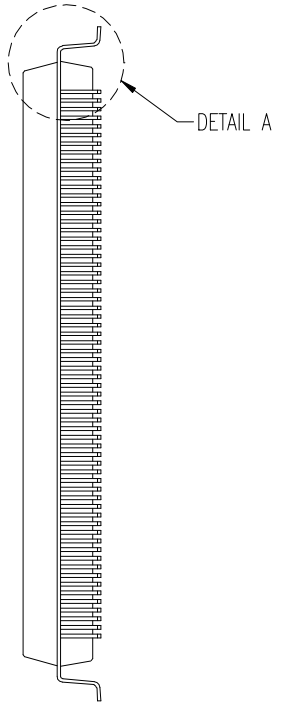
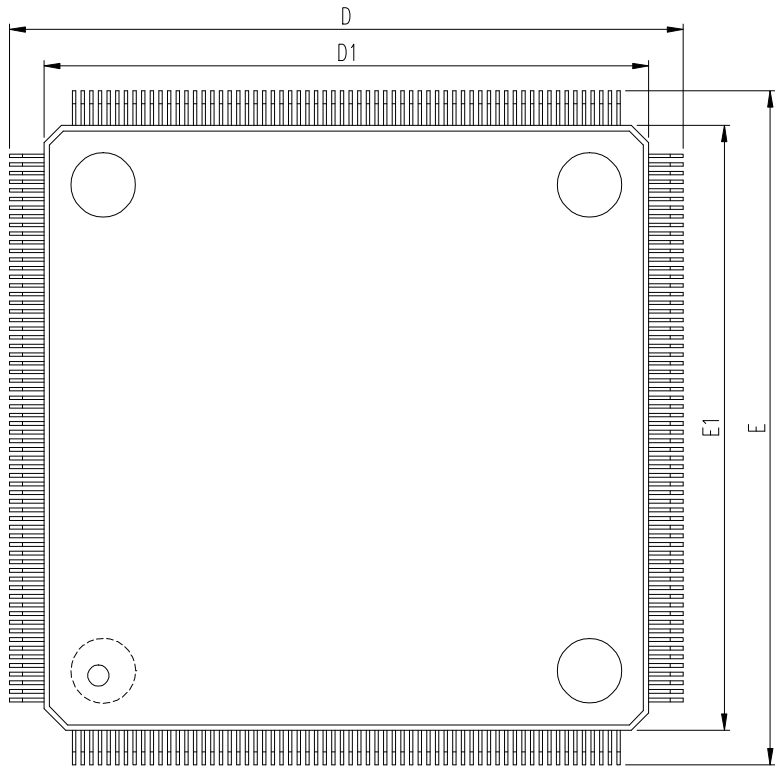
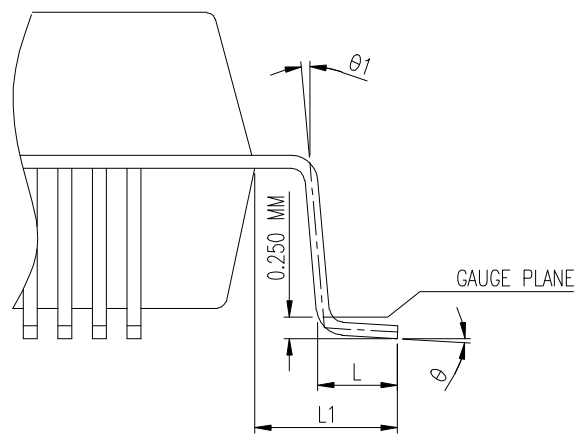
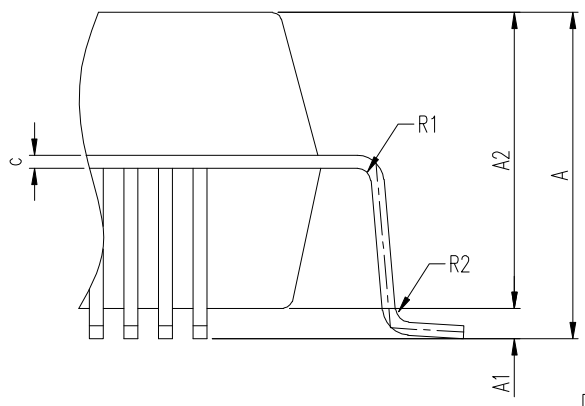


REV.	DESCRIPTION	BY	DATE
ORIG.	DRAWING ISSUE	SANDY CHEN	09.05.2007



SYMBOL	DIMENSION IN MM			DIMENSION IN INCH		
	MIN.	NOM.	MAX.	MIN.	NOM.	MAX.
A			4.07			0.161
A1	0.25			0.010		
A2	3.15	3.23	3.30	0.124	0.127	0.130
b	0.13		0.23	0.005		0.009
c	0.09		0.20	0.004		0.008
e	0.40 BASIC			0.016 BASIC		
D	30.95	31.20	31.45	1.219	1.228	1.238
D1	27.90	28.00	28.10	1.098	1.102	1.106
E	30.95	31.20	31.45	1.219	1.228	1.238
E1	27.90	28.00	28.10	1.098	1.102	1.106
L	0.65	0.80	0.95	0.026	0.031	0.037
L1	1.60 REF.			0.063 REF.		
R1	0.08			0.003		
R2	0.08		0.25	0.003		0.010
θ	0°		7°	0°		7°
θ1	0°			0°		
JEDEC						



DETAIL A

\*NOTES: DIMENSIONS " D1 " AND " E1 " DO NOT INCLUDE MOLD PROTRUSION.  
ALLOWABLE PROTRUSION IS 0.25mm PER SIDE. " D1 " AND " E1 " ARE MAXIMUM PLASTIC BODY SIZE DIMENSIONS INCLUDING MOLD MISMATCH.

<b>CWT</b> Chant World Technology Inc.	<input type="checkbox"/>	
	XX.XXXX ±0.005	ANGULAR ± 1'
TITLE QFP 256L PACKAGE OUTLINE	XX.XXX ±0.035	ROUGHNESS <input checked="" type="checkbox"/>
BODY SIZE : 28 X 28 MM	XX.XX ±0.05	SCALE
(3.2 MM FOOT PRINT)	XX.X ±0.1	
	XX. ±0.2	
DESIGNED EDGAR TU 09.05.2007	UNIT	Q'TY
CHECKED EDGAR TU 09.06.2007	FILE NAME : P7F256P2 A3	
APPROVED SANDY CHEN 09.06.2007	DWG. NO.: CW-P7-20A	